

BGR35 Pre Rig

Product Specific Brochure

www.prolyte.com

Pre Rig Truss

SMART RIGGING, SIDE ENTRY LOAD-INS, FULL PROTECTION, ONE MAN HANDLING

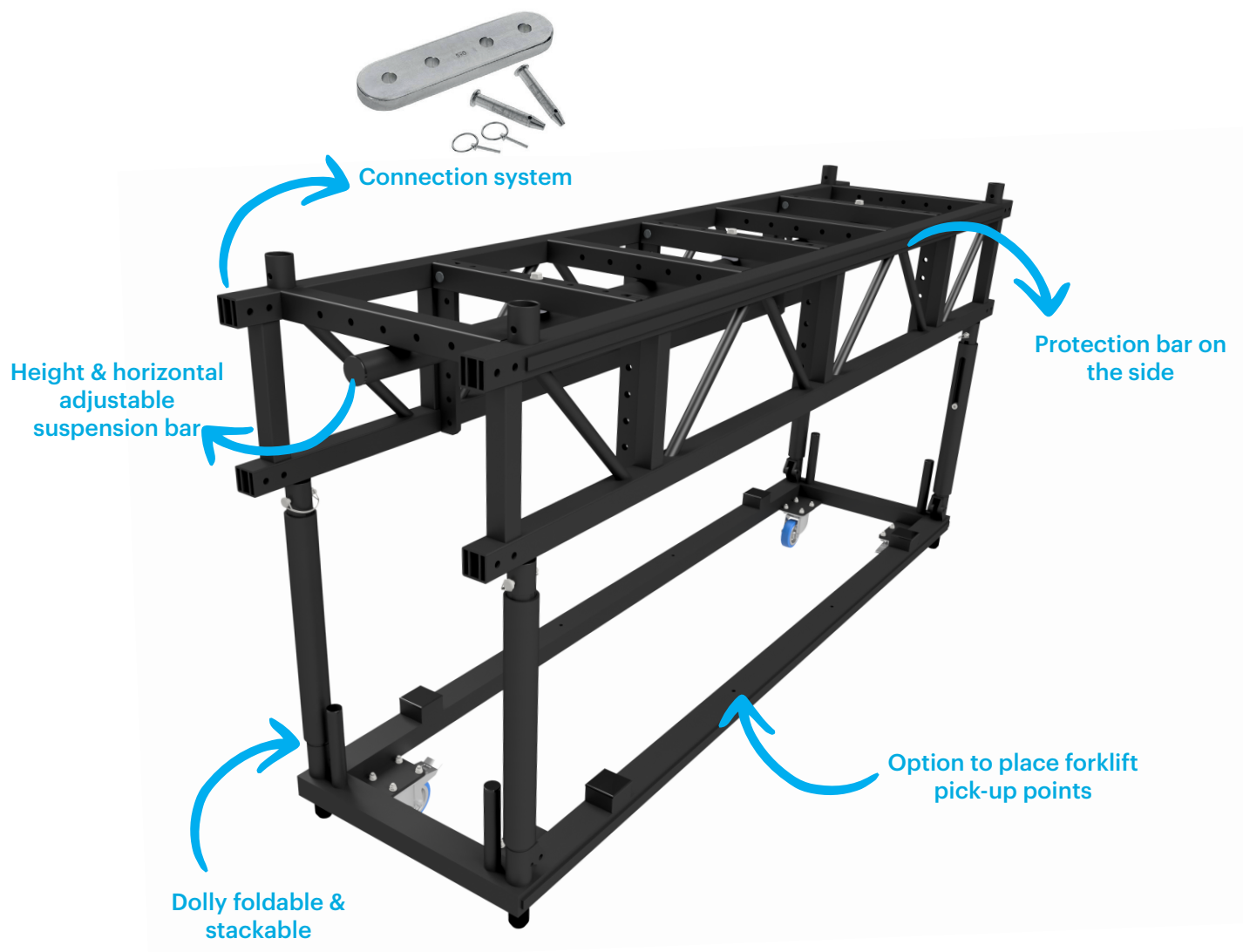
The Prolyte BGR35 Pre Rig Truss system is designed for fast, efficient rigging and safe transport of pre-mounted lighting fixtures. With its robust construction, the system offers maximum flexibility, durability, and ease of handling for touring and fixed installations. The truss has a width of 600 mm which fits standard truck dimensions.

Both the truss modules and dollies are fully compatible and interchangeable, allowing stacking with or without a dolly. Full side protection on both truss and dolly prevents damage during transport and storage, while foldable dolly legs reduce storage space.

Flexible and fixed cross members (depending on model) enable precise fixture positioning, with M12 mounting holes for easy and secure placement. The system is available in multiple standard lengths to suit a wide range of applications.

The truss is equipped with the BGR connection system which enables you to connect truss modules together without any tools and by using spacers in the upper chords, deflection can be adjusted to zero where required. There are multiple accessories available to upgrade your model to your personal requirements, like lifting brackets, forklift pick-up points and flexible corners.

The design of both series is based on one-man handling for load-in and load-out..



Pre Rig Truss

PRE RIG BASIC MODEL

Reliable performance. Cost-effective solution. The Basic Model delivers everything you need for efficient pre-rigging, without unnecessary complexity, ideal for budget-conscious productions and rental inventories.



BGR35 PRE RIG TRUSS SERIE FIXED CENTRE CHORD

Standard available lengths and codes

Metres	Feet	Weight (kg)	Weight (lbs)	Description	Code	Item Number
1.22	4	21.8	48.05	BGR35 PRE RIG TRUSS FIXED LENGTH 122CM	BGR35PRF-L122	11110721
2.44	8	42.5	93.67	BGR35 PRE RIG TRUSS FIXED LENGTH 244CM	BGR35PRF-L244	11110722
3.05	10	52.6	115.93	BGR35 PRE RIG TRUSS FIXED LENGTH 305CM	BGR35PRF-L305	11110723
Black powder coated RAL9005 textured						
1.22	4	21.8	48.05	BGR35 PRE RIG TRUSS FIXED LENGTH 122CM RAL9005 TXT	PC-BGR35PRF-L122-RAL9005-TXT	11110724
2.44	8	42.5	93.67	BGR35 PRE RIG TRUSS FIXED LENGTH 244CM RAL9005 TXT	PC-BGR35PRF-L244-RAL9005-TXT	11110725
3.05	10	52.6	115.93	BGR35 PRE RIG TRUSS FIXED LENGTH 305CM RAL9005 TXT	PC-BGR35PRF-L305-RAL9005-TXT	11110726

Other Lengths available on request

PRE RIG HIGH END MODEL

Maximum flexibility. Touring-grade performance. Designed for demanding professional environments, the High-End Model offers advanced adjustability, tool-free operation, and expansion possibilities.

HEIGHT ADJUSTABLE SUSPENSION BAR

Horizontal profile 50x50 mm:

- 5 x 12,5 mm holes (to attach different or additional profiles)

Suspension bar 50 x 4 mm.

Tube options:

- Tube with helm 100
- I-track profile

7 different heights in steps of 50 mm; 5x 12,5 mm holes in (to attach different of more profiles)



Height adjustable suspension bar

BGR35 PRE RIG TRUSS SERIE ADJUSTABLE CENTRE CHORD

Standard available lengths and codes

Metres	Feet	Weight (kg)	Weight (lbs)	Description	Code	Item Number
1.22	4	23.4	51.57	BGR35 PRE RIG TRUSS ADJUSTABLE LENGTH 122CM	BGR35-PRA-L122	11110727
2.44	8	44.8	98.74	BGR35 PRE RIG TRUSS ADJUSTABLE LENGTH 244CM	BGR35-PRA-L244	11110728
3.05	10	55.1	121.44	BGR35 PRE RIG TRUSS ADJUSTABLE LENGTH 305CM	BGR35-PRA-L305	11110729
Black poeder coated RAL9005 textured						
1.22	4	23.4	51.57	BGR35 PRE RIG TRUSS ADJUSTABLE LENGTH 122CM RAL9005 TXT	PC-BGR35PRA-L122-RAL9005-TXT	11110730
2.44	8	44.8	98.74	BGR35 PRE RIG TRUSS ADJUSTABLE LENGTH 244CM RAL9005 TXT	PC-BGR35PRA-L244-RAL9005-TXT	11110731
3.05	10	55.1	121.44	BGR35 PRE RIG TRUSS ADJUSTABLE LENGTH 305CM RAL9005 TXT	PC-BGR35PRA-L305-RAL9005-TXT	11110732

Other Lengths available on request

Allowable loading

BGR35 Pre rig serie - Allowable loading

SPAN		Uniformly Distributed Load		DEFLECTION		MAXIMUM ALLOWABLE POINT LOADS										SPAN
		UDL				CPL		DEFLECTION		TPL		QPL		FPL		
m	ft	kg/m	lbs/ft	mm	inch	kgs	lbs	mm	inch	kgs	lbs	kgs	lbs	kgs	lbs	total weight
4	13.1	1132	762	6	0.2	2730	6025	6	0.2	1918	4233	1509	3330	1132	2498	92
5	16.4	901.0	606	11	0.4	2251	4968	9	0.4	1573	3471	1215	2682	961	2121	115
6	19.7	727.0	489	19	0.7	1908	4211	13	0.5	1348	2976	1018	2246	812	1792	138
7	23.0	528.0	355	26	1.0	1649	3640	19	0.7	1176	2595	872	1924	700	1545	161
8	26.2	399.0	269	33	1.3	1446	3192	25	1.0	1039	2293	759	1675	613	1352	184
9	29.5	311.0	209	42	1.7	1282	2830	32	1.3	927	2046	669	1477	542	1197	207
10	32.8	248.0	167	52	2.0	1146	2530	40	1.6	834	1840	595	1314	484	1069	230
11	36.1	201.0	135	64	2.5	1031	2276	49	1.9	754	1664	534	1178	435	961	253
12	39.4	165.0	111	76	3.0	932	2058	59	2.3	685	1513	481	1061	393	868	276
13	42.6	138.0	93	89	3.5	846	1868	71	2.8	625	1380	435	960	357	788	299
14	45.9	116.0	78	104	4.1	770	1700	83	3.3	572	1262	395	872	325	717	322
15	49.2	98.0	66	119	4.7	702	1550	97	3.8	524	1157	359	793	296	654	345
16	52.5	84.0	56	136	5.4	641	1415	111	4.4	481	1061	327	723	271	597	368
17	55.8	72.0	48	154	6.1	585	1292	127	5.0	441	974	298	659	247	546	391
18	59.0	62.0	41	173	6.8	535	1180	145	5.7	405	894	272	600	226	499	414
19	62.3	53.0	36	194	7.6	488	1076	164	6.5	372	820	248	547	206	455	437
20	65.6	46.0	31	215	8.5	444	980	184	7.2	340	751	225	497	188	415	460

1 inch = 25,4 mm | 1m = 3.28 ft | 1 lbs = 0,453 kg

- Loading figures are only valid for static loads.
- Loading figures are only valid for single spans with supports at both ends.
- All static systems, other than single spans, need an individual structural calculation. Please contact a structural engineer or Prolyte for assistance.
- Loading figures are calculated according to and in full compliance with European standards (Eurocode).
- The self-weight of the trusses is already taken into account.
- Loading figures are only valid for the cross sectional orientation of the truss as shown by the icon in the loading table.
- The interaction between bending moment and shear force at the connection point is already taken into account.
- Truss spans can be assembled from different truss lengths.
- Read the manual before assembling, using and loading the truss.

Technical Specifications - BGR35 Pre rig serie

Alloy	EN AW 6082 T6
Main Chords	Square 50 x 50 mm
Straight members	40 x 40 mm
Diagonal members	25 x 3 mm
Coupling System	BGR type

BGR35 Pre rig serie - Allowable loading on the middle beam

SPAN		MAXIMUM ALLOWABLE POINT LOADS	
		Uniform Distributed Load	
		UDL	
m	ft	kg/m	lbs/ft
4	13.1	529	209
5	16.4	529	209
6	19.7	529	209
7	23.0	528	209
8	26.2	399	209
9	29.5	311	209
10	32.8	248	167
11	36.1	201	135
12	39.4	165	111
13	42.6	138	93
14	45.9	116	78
15	49.2	98	66
16	52.5	84	56
17	55.8	72	48
18	59.0	62	41
19	62.3	53	36
20	65.6	46	31

Pre Rig Dolly

The Pre Rig Dolly is specifically designed to complement the Prolyte Pre Rig Truss system, ensuring safe, fast, and effortless transport of pre-rigged truss modules.

PRE RIG DOLLY KEY FEATURES:

- Width: 600 mm
- 5 mm rubber side protection against damage
- Foldable legs with locking elbow
- Height-adjustable legs
- Designed for one-man handling
- Stackable for easy transport and storage



BGR35 PRE RIG TRUSS SERIE DOLLY Standard available lengths and codes

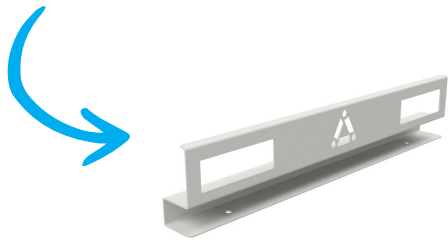
Metres	Feet	Weight (kg)	Weight (lbs)	Description	Code	Item Number
1.22	4	31	68.32	BGR35 PRE RIG DOLLY LENGTH 122CM	BGR35-PRD-L122	111110733
2.44	8	38	83.75	BGR35 PRE RIG DOLLY LENGTH 244CM	BGR35-PRD-L244	111110734
3.05	10	44	96.98	BGR35 PRE RIG DOLLY LENGTH 305CM	BGR35-PRD-L305	111110735
Black poeder coated RAL9005 textured						
1.22	4	31	68.32	BGR35 PRE RIG DOLLY LENGTH 122CM RAL9005 TXT	PC-BGR35-PRD-L122-RAL9005-TXT	111110737
2.44	8	38	83.75	BGR35 PRE RIG DOLLY LENGTH 244CM RAL9005 TXT	PC-BGR35-PRD-L244-RAL9005-TXT	111110738
3.05	10	44	96.98	BGR35 PRE RIG DOLLY LENGTH 305CM RAL9005 TXT	PC-BGR35-PRD-L305-RAL9005-TXT	111110739

Other Lengths available on request

Accessories

FORKLIFT ADAPTERS

Additional feature.



OPTION TO MOUNT SIDE CHANNELS

- 100x50x5 U profile
- 5 different heights
- Plastic block slides in U profile – 48 mm round tube is attached to the plastic blocks
- Holes every 10cm on U profile to lock with locking pin



LIFTING BRACKET

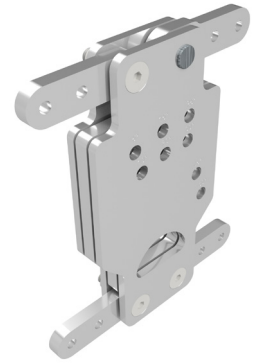
Different positions possible.



Flexible corner & transport

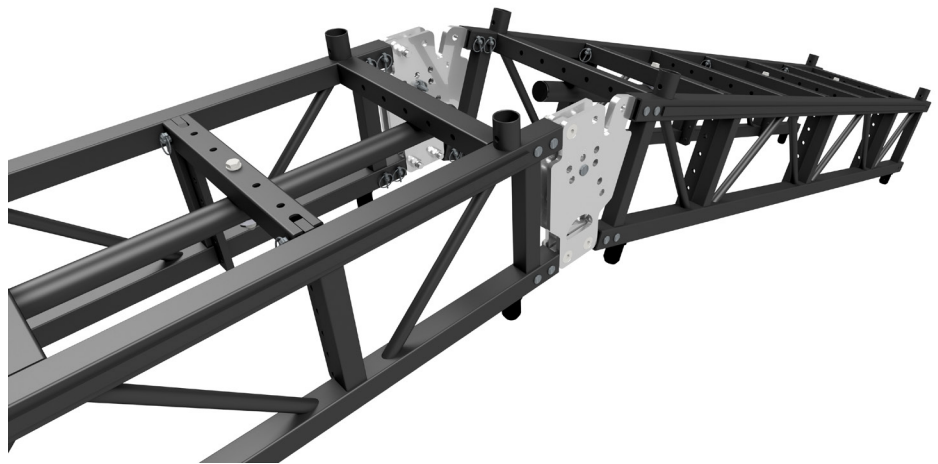
The Angle-Adjustable Corner is designed to add maximum flexibility to your Pre Rig Truss configurations. With a wide adjustment range from 5° to 60°, it allows precise positioning for complex rigging layouts and creative stage designs.

The corner works in two directions, enabling both upward and downward angles to be set quickly and accurately, making it ideal for sloped truss lines, architectural applications, or dynamic lighting setups.



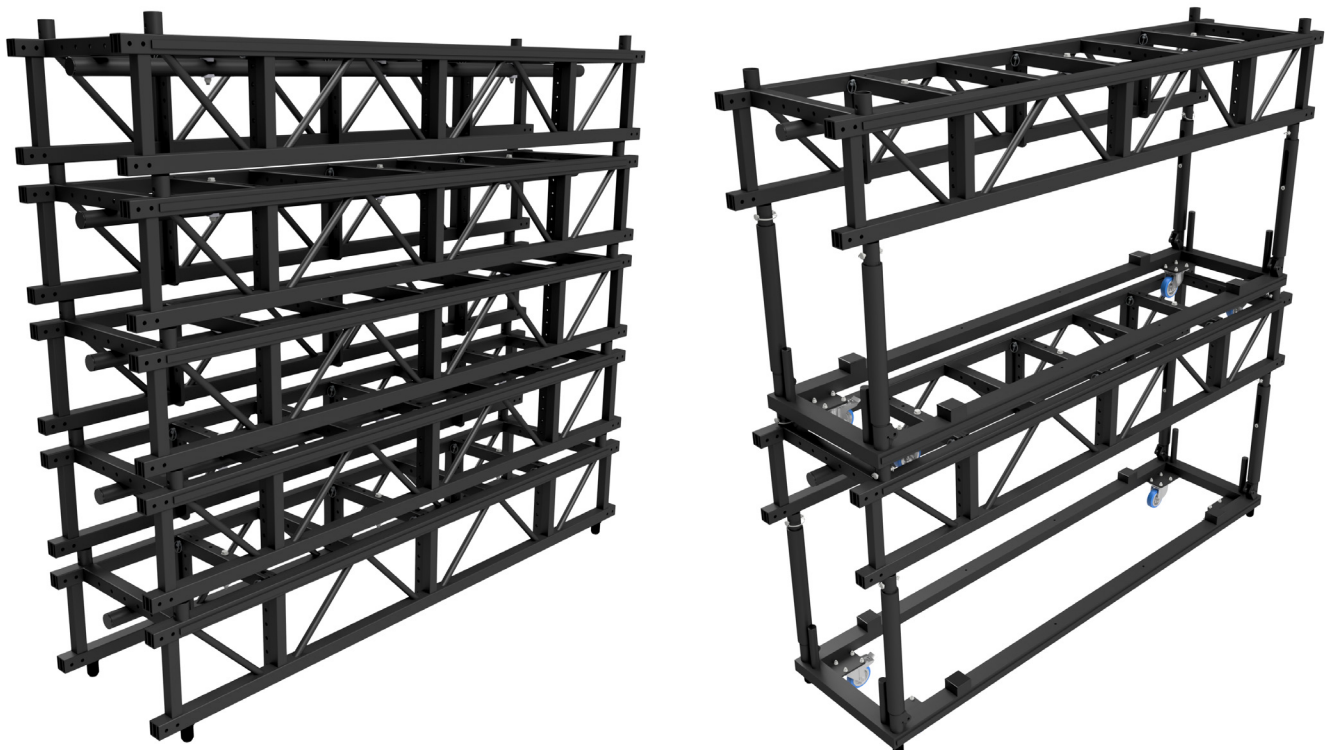
KEY FEATURES

- Adjustable angle range: 5° – 60°
- Works in two directions
- Angle down
- Angle up
- Fast and precise adjustment
- Compatible with Pre Rig Truss systems



STACKABLE SYSTEM

Trusses and dollies are fully stackable and compatible, allowing quick loading, easy transport, and efficient storage. The system is designed to reduce handling time while keeping equipment protected at all stages.





Prolyte B.V.
Industriepark 9
9351 PA Leek
Netherlands

T: +31-594 851 515
sales@prolyte.com
www.prolyte.com

