



Photos: Prolyte Sales BV,

EASYFRAME B

System Description:

EasyFrame B is a support frame suitable for indoor or outdoor use. The frame racks are available in several heights and lengths. The frames connect to the legs with a standard 4-way connection by means of a locking pin. Due to the closed topside, assembly is possible with only one technician. After positioning, the frames are stable and freestanding, and will not topple over. Spindle feet, placed in the bottom of the frames, make it possible to level the stage at an exact position and to vary the height of your stage floor.

Code:

SM-F-B-R• 000100, rack 1000 mm height, minimum stage floor height variable between 1200-1600 mm.

SM-F-B-R• 000150, rack 1500 mm height, minimum stage floor height variable between 1700-2100 mm.

SM-F-B-R• 000200, rack 2000 mm height, minimum stage floor height variable between 2200-2600 mm.

Advantages:

- Can absorb horizontal forces resulting from eventual wind forces on the roof.
- Interfaces for all Prolyte roof systems available.
- Fit for various brands of staging by using special adapters to secure your decks.
- The maximum allowable load of 750 kg/m² and 10% horizontal load are guaranteed.
- Standard stage elements provide your stage floor.
- Fast assembly, no tools and a minimum amount of loose parts.

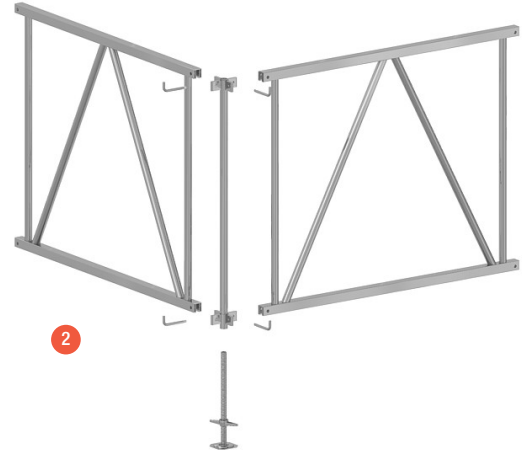
Ballast system:

Stages are often used in combination with temporary roof structures. If used correctly, the weight of your stage floor may lower the ballast values of your roof construction. The EasyFrame B support system is constructed such that the complete stage floor is interconnected. If the stage is lifted at one end, the complete stage will be lifted. Only constructions that comply with these criteria may act as ballast system for roof constructions. Apart from this fact, the EasyFrame B is suitable to absorb the horizontal forces resulting from the base sections of the roof towers. Prolyte can supply interfaces for the smaller Prolyte roof systems.



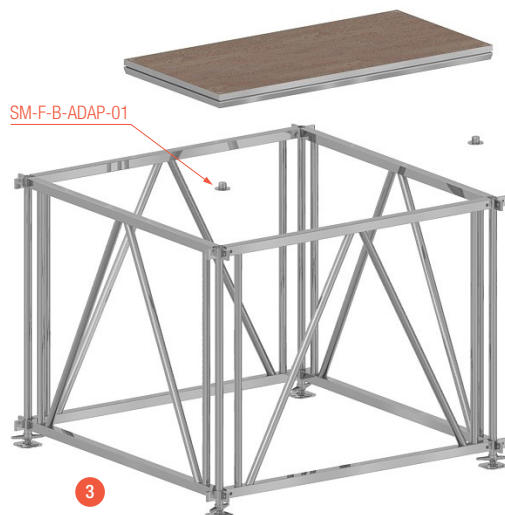
STEP 1

Place the leg with 4-way joint (SM-F-B-L....) where wanted. The leg is available in lengths of 1000 mm, 1500 mm and 2000 mm.



STEP 2

Connect the frame rack (SM-F-B-R....) to the leg and fix with the L-pin (SM-F-A-LP16). The ladder frames connect to the 4-way joint by means of a pen/fork connection which is closed on the top side (the fork "rests" on the pen). After positioning, the parts can stand free, without toppling over. This makes the assembly of the locking pin easy.



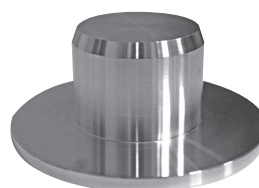
STEP 3

Place the deck-to-frame adapter (SM-F-B-ADAP-01) in the leg fittings of your deck. Place the decks on top of the assembled frames. Level the stage by means of the spindle feet in the legs.



DECK-TO-FRAME ADAPTER

In order to safely mount the decks to the EasyFrame B system, Prolite has developed the deck-to-frame adapter. This adapter is mounted in the leg connection and prevents any horizontal movement of the decks.



(SM-F-B-ADAP-01)