



BGR35 Pre Rig

Product Specific Brochure

www.prolyte.com

Pre Rig Truss

SMART RIGGING, SIDE ENTRY LOAD-INS, FULL PROTECTION, ONE-PERSON HANDLING

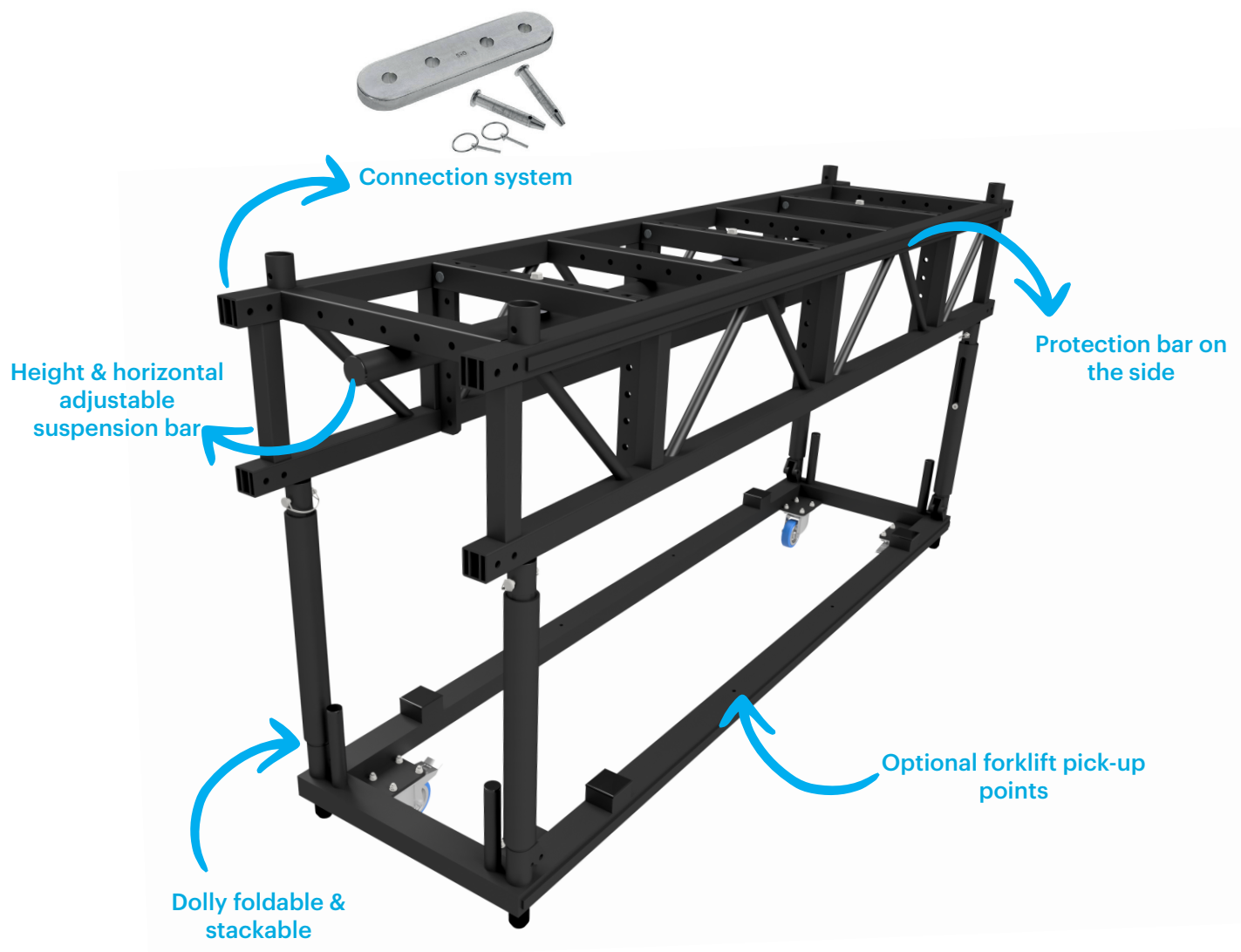
The PROLYTE BGR35 pre-rig truss system is designed for fast, efficient rigging and safe transport of pre-mounted lighting fixtures. With its robust construction, the system offers maximum flexibility, durability and ease of handling for touring and fixed installations. The truss has a width of 600 mm to match standard truck dimensions..

Both the truss modules and the dollies are fully compatible, allowing stacking with or without a dolly. Full side protection on both the truss and dolly prevents damage during transport and storage, while foldable dolly legs reduce storage space.

Flexible and fixed cross members (depending on model) enable precise fixture positioning, with M12 mounting holes for easy and secure placement. The system is available in multiple standard lengths to suit a wide range of applications.

The truss is equipped with the BGR connection system, which enables you to connect truss modules together without any tools. Using spacers in the upper chords enables deflection to be reduced to zero where required. Multiple accessories such as lifting brackets, forklift pick-up points and flexible corners are available to customise your model to your personal requirements.

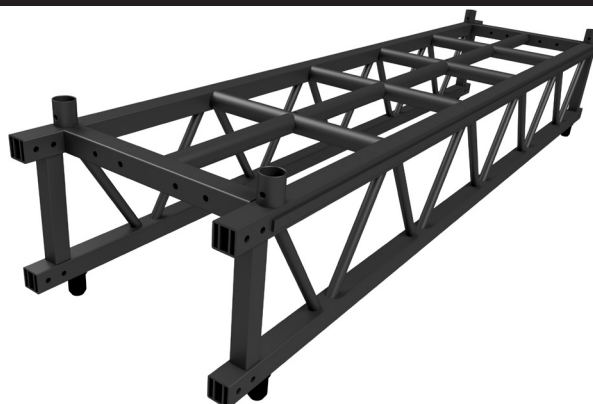
Both series are designed for one-person handling during load-in and load-out.



Pre-rig truss

PRE RIG FIXED MODEL

Reliable performance. Cost-effective solution. The Pre-rig fixed model delivers everything you need for efficient pre-rigging without unnecessary complexity, ideal for budget-conscious productions and rental inventories.



BGR35 PRE-RIG TRUSS SERIES FIXED CENTRE CHORD

Standard available lengths and codes

| Metres | Feet | Weight (kg) | Weight (lbs) | Description | Code | Item number |
|---------------------------------------------|------|-------------|--------------|-----------------------------------------------------|------------------------------|-------------|
| 1.22 | 4 | 21.8 | 48.05 | BGR35 PRE-RIG TRUSS FIXED LENGTH 122 CM | BGR35PRF-L122 | 11110721 |
| 2.44 | 8 | 42.5 | 93.67 | BGR35 PRE-RIG TRUSS FIXED LENGTH 244 CM | BGR35PRF-L244 | 11110722 |
| 3.05 | 10 | 52.6 | 115.93 | BGR35 PRE-RIG TRUSS FIXED LENGTH 305 CM | BGR35PRF-L305 | 11110723 |
| Black powder coated RAL9005 textured | | | | | | |
| 1.22 | 4 | 21.8 | 48.05 | BGR35 PRE-RIG TRUSS FIXED LENGTH 122 CM RAL9005 TXT | PC-BGR35PRF-L122-RAL9005-TXT | 11110724 |
| 2.44 | 8 | 42.5 | 93.67 | BGR35 PRE-RIG TRUSS FIXED LENGTH 244 CM RAL9005 TXT | PC-BGR35PRF-L244-RAL9005-TXT | 11110725 |
| 3.05 | 10 | 52.6 | 115.93 | BGR35 PRE-RIG TRUSS FIXED LENGTH 305 CM RAL9005 TXT | PC-BGR35PRF-L305-RAL9005-TXT | 11110726 |

Other lengths available on request

PRE-RIG ADJUSTABLE MODEL

Maximum flexibility. Touring-grade performance. Designed for demanding professional environments, the adjustable offers advanced adjustability, tool-free operation and expansion options.

HEIGHT ADJUSTABLE SUSPENSION BAR

Horizontal profile 50x50 mm:

- 5x12.5 mm holes (to attach different or additional profiles)

Suspension bar 50x4 mm.

Tube options:

- Tube with Helm 100 profile
- I-track profile

7 different heights in steps of 50 mm; 5x12.5 mm holes in (to attach different or more profiles)



Height-adjustable suspension bar

BGR35 PRE-RIG TRUSS SERIES ADJUSTABLE CENTRE CHORD

Standard available lengths and codes

| Metres | Feet | Weight (kg) | Weight (lbs) | Description | Code | Item number |
|---------------------------------------------|------|-------------|--------------|----------------------------------------------------------|------------------------------|-------------|
| 1.22 | 4 | 23.4 | 51.57 | BGR35 PRE-RIG TRUSS ADJUSTABLE LENGTH 122 CM | BGR35-PRA-L122 | 11110727 |
| 2.44 | 8 | 44.8 | 98.74 | BGR35 PRE-RIG TRUSS ADJUSTABLE LENGTH 244 CM | BGR35-PRA-L244 | 11110728 |
| 3.05 | 10 | 55.1 | 121.44 | BGR35 PRE-RIG TRUSS ADJUSTABLE LENGTH 305 CM | BGR35-PRA-L305 | 11110729 |
| Black powder-coated RAL9005 textured | | | | | | |
| 1.22 | 4 | 23.4 | 51.57 | BGR35 PRE-RIG TRUSS ADJUSTABLE LENGTH 122 CM RAL9005 TXT | PC-BGR35PRA-L122-RAL9005-TXT | 11110730 |
| 2.44 | 8 | 44.8 | 98.74 | BGR35 PRE-RIG TRUSS ADJUSTABLE LENGTH 244 CM RAL9005 TXT | PC-BGR35PRA-L244-RAL9005-TXT | 11110731 |
| 3.05 | 10 | 55.1 | 121.44 | BGR35 PRE-RIG TRUSS ADJUSTABLE LENGTH 305 CM RAL9005 TXT | PC-BGR35PRA-L305-RAL9005-TXT | 11110732 |

Other lengths available on request

Allowable loading

BGR35 Pre rig serie - Allowable loading

| SPAN | | Uniformly Distributed Load | | DEFLECTION | | MAXIMUM ALLOWABLE POINT LOADS | | | | | | | | | | SPAN |
|------|------|----------------------------|--------|------------|------|-------------------------------|------|------------|------|------|------|------|------|------|------|--------------|
| | | UDL | | | | CPL | | DEFLECTION | | TPL | | QPL | | FPL | | |
| m | ft | kg/m | lbs/ft | mm | inch | kgs | lbs | mm | inch | kgs | lbs | kgs | lbs | kgs | lbs | total weight |
| 4 | 13.1 | 1132 | 762 | 6 | 0.2 | 2730 | 6025 | 6 | 0.2 | 1918 | 4233 | 1509 | 3330 | 1132 | 2498 | 92 |
| 5 | 16.4 | 901.0 | 606 | 11 | 0.4 | 2251 | 4968 | 9 | 0.4 | 1573 | 3471 | 1215 | 2682 | 961 | 2121 | 115 |
| 6 | 19.7 | 727.0 | 489 | 19 | 0.7 | 1908 | 4211 | 13 | 0.5 | 1348 | 2976 | 1018 | 2246 | 812 | 1792 | 138 |
| 7 | 23.0 | 528.0 | 355 | 26 | 1.0 | 1649 | 3640 | 19 | 0.7 | 1176 | 2595 | 872 | 1924 | 700 | 1545 | 161 |
| 8 | 26.2 | 399.0 | 269 | 33 | 1.3 | 1446 | 3192 | 25 | 1.0 | 1039 | 2293 | 759 | 1675 | 613 | 1352 | 184 |
| 9 | 29.5 | 311.0 | 209 | 42 | 1.7 | 1282 | 2830 | 32 | 1.3 | 927 | 2046 | 669 | 1477 | 542 | 1197 | 207 |
| 10 | 32.8 | 248.0 | 167 | 52 | 2.0 | 1146 | 2530 | 40 | 1.6 | 834 | 1840 | 595 | 1314 | 484 | 1069 | 230 |
| 11 | 36.1 | 201.0 | 135 | 64 | 2.5 | 1031 | 2276 | 49 | 1.9 | 754 | 1664 | 534 | 1178 | 435 | 961 | 253 |
| 12 | 39.4 | 165.0 | 111 | 76 | 3.0 | 932 | 2058 | 59 | 2.3 | 685 | 1513 | 481 | 1061 | 393 | 868 | 276 |
| 13 | 42.6 | 138.0 | 93 | 89 | 3.5 | 846 | 1868 | 71 | 2.8 | 625 | 1380 | 435 | 960 | 357 | 788 | 299 |
| 14 | 45.9 | 116.0 | 78 | 104 | 4.1 | 770 | 1700 | 83 | 3.3 | 572 | 1262 | 395 | 872 | 325 | 717 | 322 |
| 15 | 49.2 | 98.0 | 66 | 119 | 4.7 | 702 | 1550 | 97 | 3.8 | 524 | 1157 | 359 | 793 | 296 | 654 | 345 |
| 16 | 52.5 | 84.0 | 56 | 136 | 5.4 | 641 | 1415 | 111 | 4.4 | 481 | 1061 | 327 | 723 | 271 | 597 | 368 |
| 17 | 55.8 | 72.0 | 48 | 154 | 6.1 | 585 | 1292 | 127 | 5.0 | 441 | 974 | 298 | 659 | 247 | 546 | 391 |
| 18 | 59.0 | 62.0 | 41 | 173 | 6.8 | 535 | 1180 | 145 | 5.7 | 405 | 894 | 272 | 600 | 226 | 499 | 414 |
| 19 | 62.3 | 53.0 | 36 | 194 | 7.6 | 488 | 1076 | 164 | 6.5 | 372 | 820 | 248 | 547 | 206 | 455 | 437 |
| 20 | 65.6 | 46.0 | 31 | 215 | 8.5 | 444 | 980 | 184 | 7.2 | 340 | 751 | 225 | 497 | 188 | 415 | 460 |

1 inch = 25,4 mm | 1m = 3.28 ft | 1 lbs = 0,453 kg

- Loading figures are only valid for static loads.
- Loading figures are only valid for single spans with supports at both ends.
- All static systems other than single spans require an individual structural calculation. Please contact a structural engineer or Prolyte for assistance.
- Loading figures are calculated according to and in full compliance with European standards (Eurocode).
- The self-weight of the trusses is already taken into account.
- Loading figures are only valid for the cross-sectional orientation of the truss as shown by the icon in the loading table.
- The interaction between bending moment and shear force at the connection point is already taken into account.
- Truss spans can be assembled from different truss lengths.
- Read the manual before assembling, using and loading the truss.

Technical specifications - BGR35 Pre-rig series

| | |
|-------------------|-----------------|
| Alloy | EN AW-6082 T6 |
| Main chords | Square 50x50 mm |
| Straight members | 40x40 mm |
| Diagonal members | 25x3 mm |
| Connection system | BGR type |

BGR35 Pre-rig series - allowable load on the middle beam

| SPAN | | MAXIMUM ALLOWABLE POINT LOADS | |
|------|------|-------------------------------|--------|
| | | Uniform Distributed Load | |
| m | ft | kg/m | lbs/ft |
| 4 | 13.1 | 529 | 209 |
| 5 | 16.4 | 529 | 209 |
| 6 | 19.7 | 529 | 209 |
| 7 | 23.0 | 528 | 209 |
| 8 | 26.2 | 399 | 209 |
| 9 | 29.5 | 311 | 209 |
| 10 | 32.8 | 248 | 167 |
| 11 | 36.1 | 201 | 135 |
| 12 | 39.4 | 165 | 111 |
| 13 | 42.6 | 138 | 93 |
| 14 | 45.9 | 116 | 78 |
| 15 | 49.2 | 98 | 66 |
| 16 | 52.5 | 84 | 56 |
| 17 | 55.8 | 72 | 48 |
| 18 | 59.0 | 62 | 41 |
| 19 | 62.3 | 53 | 36 |
| 20 | 65.6 | 46 | 31 |

Pre-rig dolly

The pre-rig dolly is specifically designed to complement the PROLYTE pre-rig truss system, ensuring safe, fast and effortless transport of pre-rigged truss modules.

PRE-RIG DOLLY KEY FEATURES:

- Width: 600 mm
- 5-mm rubber side protection against damage
- Foldable legs with locking elbow
- Height-adjustable legs
- Designed for one-man handling
- Stackable for easy transport and storage

Stackable for easy transport and storage



Foldable legs with locking elbow



Height-adjustable legs



BGR35 PRE-RIG TRUSS SERIES DOLLY

Standard available lengths and codes

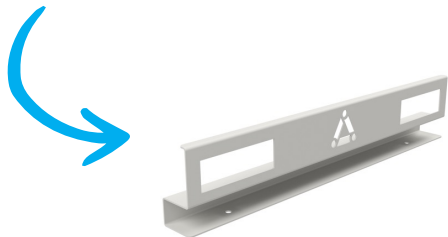
| Metres | Feet | Weight (kg) | Weight (lbs) | Description | Code | Item number |
|---------------------------------------------|------|-------------|--------------|-----------------------------------------------|-------------------------------|-------------|
| 1.22 | 4 | 31 | 68.32 | BGR35 PRE-RIG DOLLY LENGTH 122 CM | BGR35-PRD-L122 | 111110733 |
| 2.44 | 8 | 38 | 83.75 | BGR35 PRE-RIG DOLLY LENGTH 244 CM | BGR35-PRD-L244 | 111110734 |
| 3.05 | 10 | 44 | 96.98 | BGR35 PRE-RIG DOLLY LENGTH 305 CM | BGR35-PRD-L305 | 111110735 |
| Black powder-coated RAL9005 textured | | | | | | |
| 1.22 | 4 | 31 | 68.32 | BGR35 PRE-RIG DOLLY LENGTH 122 CM RAL9005 TXT | PC-BGR35-PRD-L122-RAL9005-TXT | 111110737 |
| 2.44 | 8 | 38 | 83.75 | BGR35 PRE-RIG DOLLY LENGTH 244 CM RAL9005 TXT | PC-BGR35-PRD-L244-RAL9005-TXT | 111110738 |
| 3.05 | 10 | 44 | 96.98 | BGR35 PRE-RIG DOLLY LENGTH 305 CM RAL9005 TXT | PC-BGR35-PRD-L305-RAL9005-TXT | 111110739 |

Other lengths available on request

Accessories

FORKLIFT ADAPTERS

Additional feature.



OPTION TO MOUNT SIDE CHANNELS

- 100x50x5 mm U-profile
- 5 different heights
- Plastic block slides in U-profile – 48-mm round tube is attached to the plastic blocks
- Holes every 10 cm on U-profile to lock with locking pin



LIFTING BRACKET

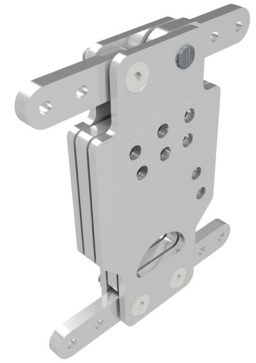
Different positions possible.



Flexible corner & transport

The angle-adjustable corner is designed to add maximum flexibility to your pre-rig truss configurations. With a wide adjustment range from 5° to 60°, it allows precise positioning for complex rigging layouts and creative stage designs.

The corner works in two directions, enabling both upward and downward angles to be set quickly and accurately, making it ideal for sloped truss lines, architectural applications or dynamic lighting set-ups.



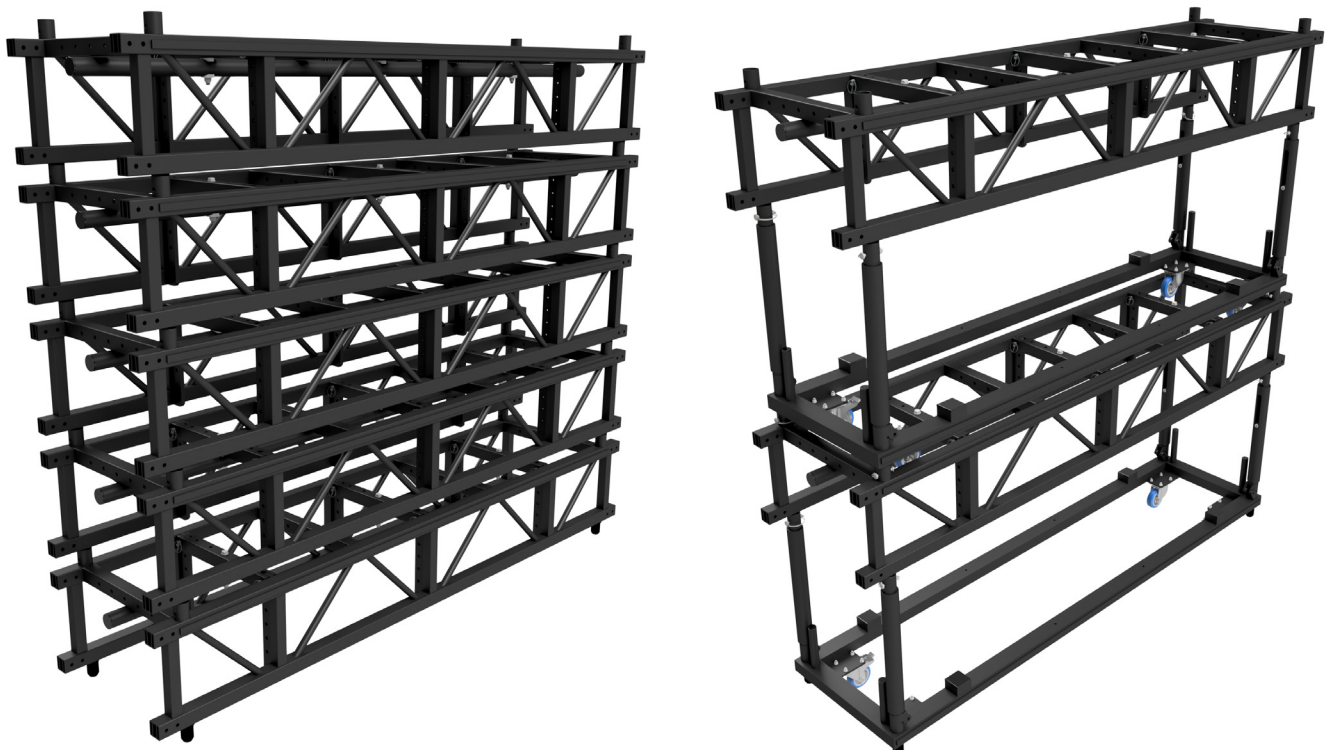
KEY FEATURES

- Adjustable angle range: 5°-60°
- Works in two directions
- Angle down
- Angle up
- Fast and precise adjustment
- Compatible with pre-rig truss systems



STACKABLE SYSTEM

Trusses and dollies are fully stackable and compatible, allowing quick loading, easy transport and efficient storage. The system is designed to reduce handling time while keeping equipment protected during all stages.





Prolyte B.V.
Industriepark 9
9351 PA Leek
The Netherlands

T: +31 594 851 515
sales@prolyte.com
www.prolyte.com

