



BGR35 Pre-rig

Product Specific Brochure

www.prolyte.com

BGR35 pre-rig truss

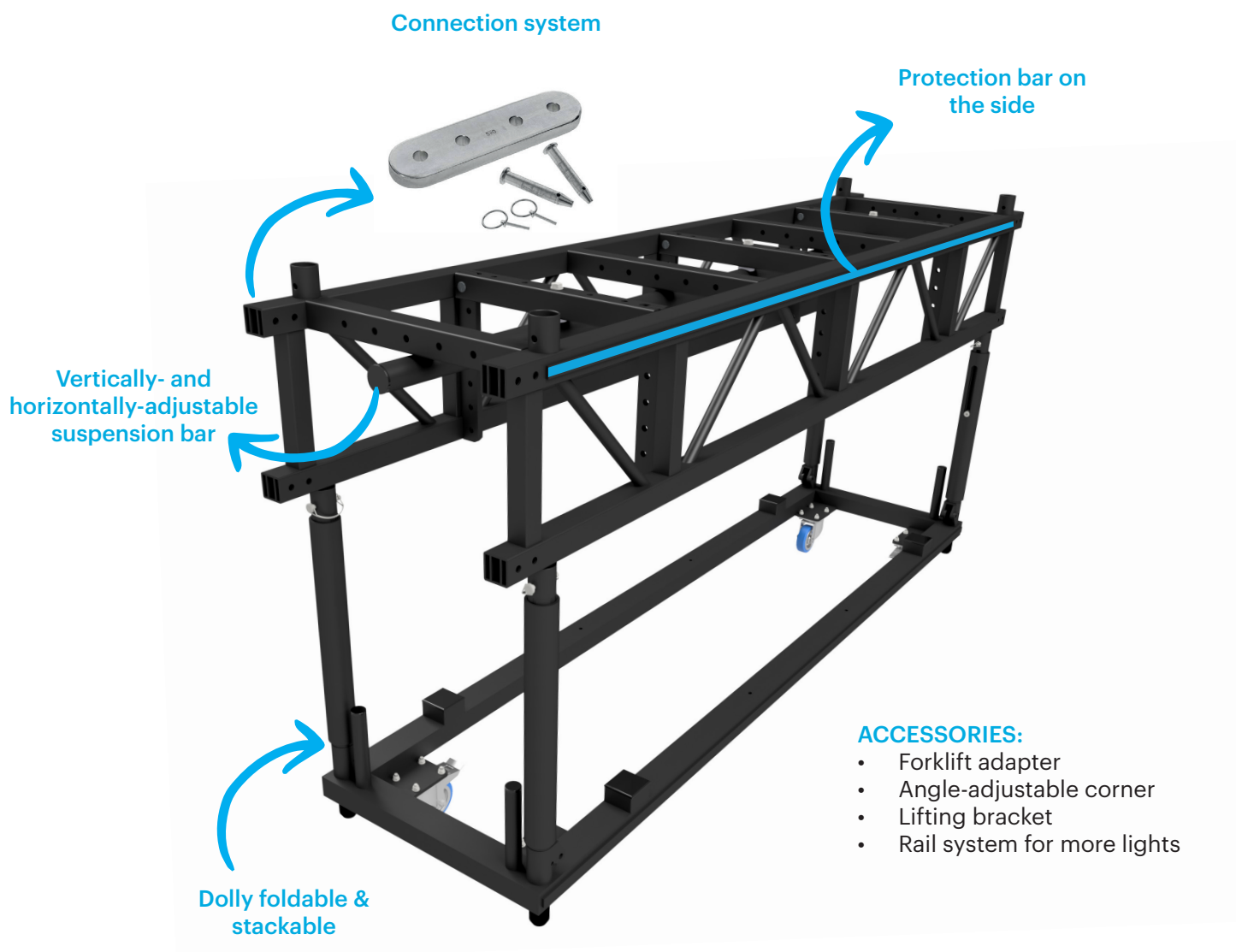
SMART RIGGING, SIDE ENTRY LOAD-INS, FULL PROTECTION, ONE-PERSON HANDLING

The PROLYTE BGR35 pre-rig truss system enables fast rigging and safe transport of pre-mounted lighting fixtures. Its durable design offers flexibility and easy handling for touring and fixed installations. With a width of 600 mm, it fits standard truck dimensions, and compatible truss modules and dollies enable efficient stacking. Side protection prevents damage, while foldable dolly legs save space.

Flexible or fixed cross members with M12 mounting holes enable precise fixture placement. Available in multiple lengths, the system suits various applications. The BGR connection system enables tool-free assembly, and spacers can reduce deflection to zero where needed. Accessories such as lifting brackets, forklift points and flexible corners enable additional customisation. Designed for one-person handling, it simplifies load-in and load-out.

KEY FEATURES:

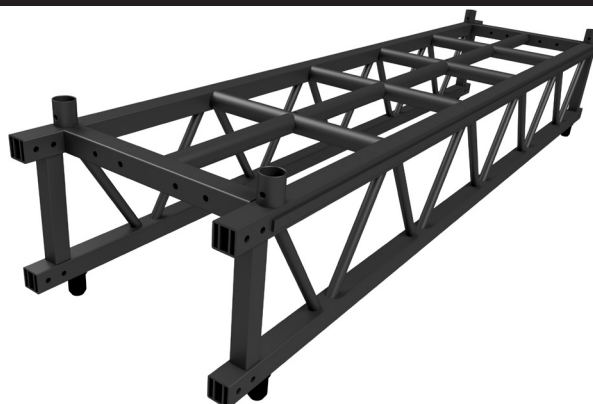
- Bumper protection – integrated protection strips safeguard and dolly during transport.
- High rigidity – strong construction ensures excellent structural stability.
- Tool-free connections – fast assembly without tools.
- Pre-cambering system – adjustable spacers reduce deflection where needed.
- High load capacity – 248 kg/m UDL over a 10-m span, around 25% higher than comparable systems.



BGR35 pre-rig truss

BGR35 PRE-RIG FIXED MODEL

Reliable performance. Cost-effective solution. The BGR35 pre-rig fixed model delivers everything you need for efficient pre-rigging without unnecessary complexity, ideal for budget-conscious productions and rental inventories.



BGR35 PRE-RIG TRUSS SERIES FIXED CENTRE CHORD

Standard available lengths and codes

| Metres | Feet | Weight (kg) | Weight (lbs) | Description | Code | Item number |
|---|------|-------------|--------------|---|------------------------------|-------------|
| 1.22 | 4 | 21.8 | 48.05 | BGR35 PRE-RIG TRUSS FIXED LENGTH 122 CM | BGR35PRF-L122 | 11110721 |
| 2.44 | 8 | 42.5 | 93.67 | BGR35 PRE-RIG TRUSS FIXED LENGTH 244 CM | BGR35PRF-L244 | 11110722 |
| 3.05 | 10 | 52.6 | 115.93 | BGR35 PRE RIG-TRUSS FIXED LENGTH 305 CM | BGR35PRF-L305 | 11110723 |
| Black powder-coated RAL 9005, textured | | | | | | |
| 1.22 | 4 | 21.8 | 48.05 | BGR35 PRE-RIG TRUSS FIXED LENGTH 122 CM RAL9005 TXT | PC-BGR35PRF-L122-RAL9005-TXT | 11110724 |
| 2.44 | 8 | 42.5 | 93.67 | BGR35 PRE-RIG TRUSS FIXED LENGTH 244 CM RAL9005 TXT | PC-BGR35PRF-L244-RAL9005-TXT | 11110725 |
| 3.05 | 10 | 52.6 | 115.93 | BGR35 PRE-RIG TRUSS FIXED LENGTH 305 CM RAL9005 TXT | PC-BGR35PRF-L305-RAL9005-TXT | 11110726 |

Other lengths available on request

BGR35 PRE-RIG ADJUSTABLE MODEL

Maximum flexibility. Touring-grade performance. Designed for demanding professional environments, the adjustable model offers advanced adjustability, tool-free operation and expansion options.

HEIGHT ADJUSTABLE SUSPENSION BAR

Horizontal profile 50x50 mm:

- 5x12.5-mm holes (to attach different or additional profiles)

Suspension bar 50x4 mm

Tube options:

- Tube with Helm 100 profile
- I-track profile

7 different heights in steps of 50 mm; 5x12.5 mm holes (to attach different or additional profiles)



Height-adjustable suspension bar

BGR35 PRE-RIG TRUSS SERIES ADJUSTABLE CENTRE CHORD

Standard available lengths and codes

| Metres | Feet | Weight (kg) | Weight (lbs) | Description | Code | Item number |
|---|------|-------------|--------------|--|------------------------------|-------------|
| 1.22 | 4 | 23.4 | 51.57 | BGR35 PRE-RIG TRUSS ADJUSTABLE LENGTH 122 CM | BGR35-PRA-L122 | 11110727 |
| 2.44 | 8 | 44.8 | 98.74 | BGR35 PRE-RIG TRUSS ADJUSTABLE LENGTH 244 CM | BGR35-PRA-L244 | 11110728 |
| 3.05 | 10 | 55.1 | 121.44 | BGR35 PRE-RIG TRUSS ADJUSTABLE LENGTH 305 CM | BGR35-PRA-L305 | 11110729 |
| Black powder-coated RAL 9005, textured | | | | | | |
| 1.22 | 4 | 23.4 | 51.57 | BGR35 PRE-RIG TRUSS ADJUSTABLE LENGTH 122 CM RAL9005 TXT | PC-BGR35PRA-L122-RAL9005-TXT | 11110730 |
| 2.44 | 8 | 44.8 | 98.74 | BGR35 PRE-RIG TRUSS ADJUSTABLE LENGTH 244 CM RAL9005 TXT | PC-BGR35PRA-L244-RAL9005-TXT | 11110731 |
| 3.05 | 10 | 55.1 | 121.44 | BGR35 PRE-RIG TRUSS ADJUSTABLE LENGTH 305 CM RAL9005 TXT | PC-BGR35PRA-L305-RAL9005-TXT | 11110732 |

Other lengths available on request

Allowable load

BGR35 pre-rig series - allowable load

| SPAN | | Uniformly Distributed Load | | DEFLECTION | | MAXIMUM ALLOWABLE POINT LOADS | | | | | | | | | | SPAN | | |
|------|------|----------------------------|--------|------------|------|-------------------------------|------|------------|------|------|------|------|------|------|------|------|-----|--------------|
| | | UDL | | | | CPL | | DEFLECTION | | TPL | | QPL | | FPL | | | | |
| m | ft | kg/m | lbs/ft | mm | Inch | kg | lbs | mm | Inch | kg | lbs | kg | lbs | kg | lbs | kg | lbs | total weight |
| 4 | 13.1 | 1132 | 762 | 6 | 0.2 | 2714 | 5990 | 6 | 0.2 | 1902 | 4199 | 1509 | 3330 | 1132 | 2498 | | | 92 |
| 5 | 16.4 | 901.0 | 606 | 11 | 0.4 | 2240 | 4944 | 9 | 0.4 | 1562 | 3448 | 1212 | 2675 | 957 | 2113 | | | 115 |
| 6 | 19.7 | 727.0 | 489 | 19 | 0.7 | 1900 | 4194 | 13 | 0.5 | 1340 | 2958 | 1015 | 2241 | 809 | 1785 | | | 138 |
| 7 | 23.0 | 528.0 | 355 | 26 | 1.0 | 1643 | 3627 | 19 | 0.7 | 1170 | 2582 | 870 | 1920 | 698 | 1540 | | | 161 |
| 8 | 26.2 | 399.0 | 269 | 33 | 1.3 | 1442 | 3182 | 25 | 1.0 | 1034 | 2282 | 758 | 1673 | 611 | 1348 | | | 184 |
| 9 | 29.5 | 311.0 | 209 | 42 | 1.7 | 1279 | 2822 | 32 | 1.3 | 923 | 2038 | 668 | 1475 | 541 | 1194 | | | 207 |
| 10 | 32.8 | 248.0 | 167 | 52 | 2.0 | 1143 | 2523 | 40 | 1.6 | 831 | 1833 | 593 | 1313 | 483 | 1066 | | | 230 |
| 11 | 36.1 | 201.0 | 135 | 64 | 2.5 | 1029 | 2271 | 49 | 1.9 | 752 | 1659 | 533 | 1176 | 435 | 959 | | | 253 |
| 12 | 39.4 | 165.0 | 111 | 76 | 3.0 | 931 | 2054 | 59 | 2.3 | 683 | 1508 | 480 | 1060 | 393 | 867 | | | 276 |
| 13 | 42.6 | 138.0 | 93 | 89 | 3.5 | 845 | 1864 | 71 | 2.8 | 623 | 1376 | 435 | 960 | 356 | 787 | | | 299 |
| 14 | 45.9 | 116.0 | 78 | 104 | 4.1 | 769 | 1697 | 83 | 3.3 | 570 | 1259 | 395 | 871 | 324 | 716 | | | 322 |
| 15 | 49.2 | 98.0 | 66 | 119 | 4.7 | 701 | 1548 | 97 | 3.8 | 523 | 1154 | 359 | 793 | 296 | 653 | | | 345 |
| 16 | 52.5 | 84.0 | 56 | 136 | 5.4 | 640 | 1413 | 111 | 4.4 | 480 | 1059 | 327 | 722 | 270 | 596 | | | 368 |
| 17 | 55.8 | 72.0 | 48 | 154 | 6.1 | 585 | 1291 | 127 | 5.0 | 440 | 972 | 298 | 658 | 247 | 545 | | | 391 |
| 18 | 59.0 | 62.0 | 41 | 173 | 6.8 | 534 | 1179 | 145 | 5.7 | 404 | 892 | 272 | 600 | 226 | 498 | | | 414 |
| 19 | 62.3 | 53.0 | 36 | 194 | 7.6 | 487 | 1075 | 164 | 6.5 | 371 | 819 | 248 | 547 | 206 | 455 | | | 437 |
| 20 | 65.6 | 46.0 | 31 | 215 | 8.5 | 444 | 980 | 184 | 7.2 | 340 | 750 | 225 | 497 | 188 | 415 | | | 460 |

1 inch = 25.4mm | 1 m = 3.28 ft | lb = 0.453 kg

- Loading figures are only valid for static loads.
- Loading figures are only valid for single spans with supports at both ends.
- All static systems other than single spans require an individual structural calculation. Please contact a structural engineer or PROLYTE for assistance.
- Loading figures are calculated according to and in full compliance with European standards (Eurocodes).
- The self-weight of the trusses is already taken into account.
- Loading figures are only valid for the cross-sectional orientation of the truss as shown by the icon in the load table.
- The interaction between bending moment and shear force at the connection point is already taken into account.
- Truss spans can be assembled from different truss lengths.
- Read the manual before assembling, using and loading the truss.

Technical specifications - BGR35 pre-rig series

| | |
|-------------------------|-------------------|
| Alloy | EN AW-6082 T6 |
| Main chords | Square 50 x 50 mm |
| Straight members Square | Square 40 x 40 mm |
| Diagonal members | Ø 25x3 mm |
| Connection system | BGR type |

BGR35 pre-rig series - allowable load on the middle beam

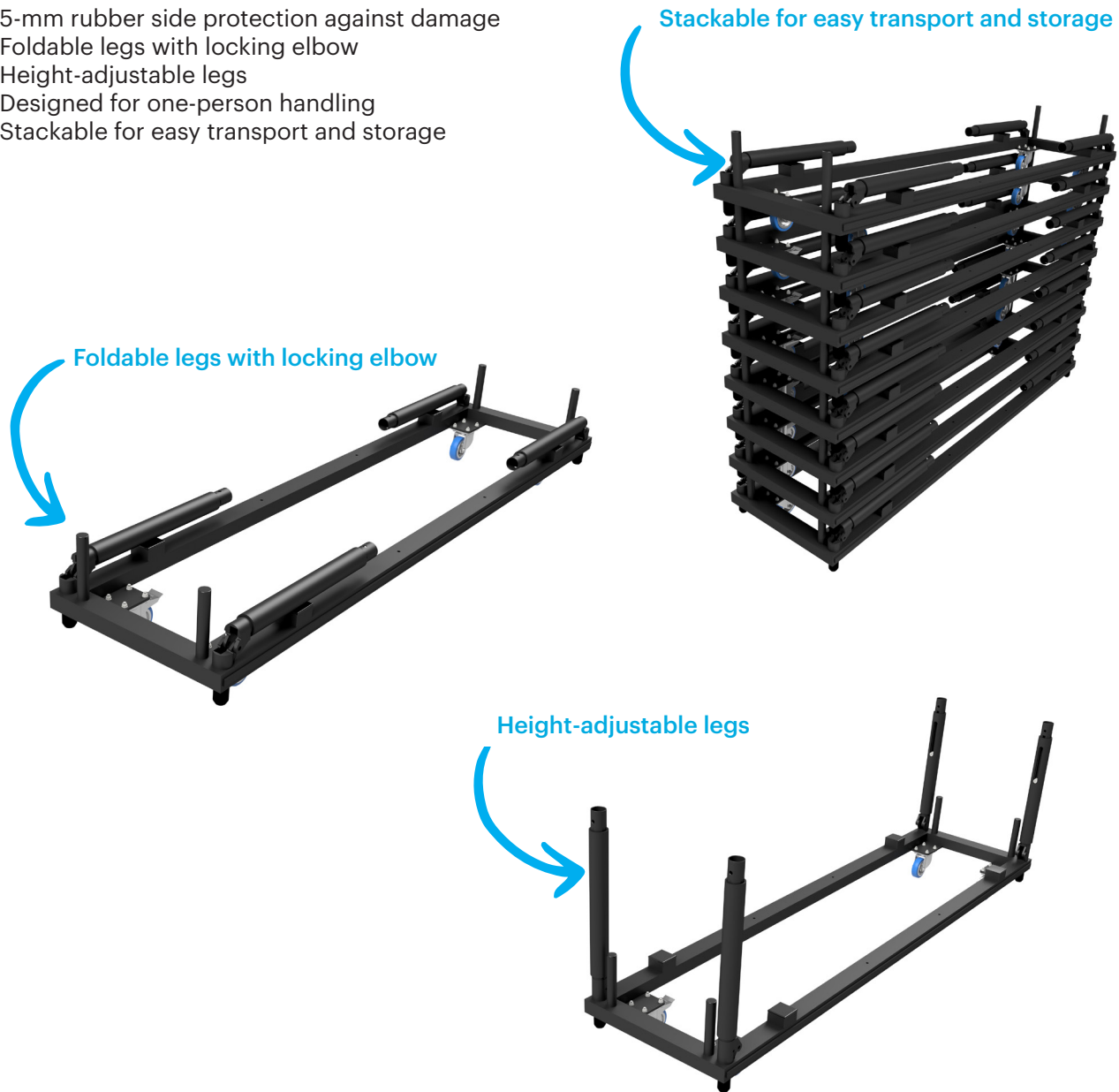
| SPAN | | MAXIMUM ALLOWABLE POINT LOADS | |
|------|------|-------------------------------|--------|
| | | Uniform Distributed Load | |
| m | ft | kg/m | lbs/ft |
| 4 | 13.1 | 529 | 209 |
| 5 | 16.4 | 529 | 209 |
| 6 | 19.7 | 529 | 209 |
| 7 | 23.0 | 528 | 209 |
| 8 | 26.2 | 399 | 209 |
| 9 | 29.5 | 311 | 209 |
| 10 | 32.8 | 248 | 167 |
| 11 | 36.1 | 201 | 135 |
| 12 | 39.4 | 165 | 111 |
| 13 | 42.6 | 138 | 93 |
| 14 | 45.9 | 116 | 78 |
| 15 | 49.2 | 98 | 66 |
| 16 | 52.5 | 84 | 56 |
| 17 | 55.8 | 72 | 48 |
| 18 | 59.0 | 62 | 41 |
| 19 | 62.3 | 53 | 36 |
| 20 | 65.6 | 46 | 31 |

BGR35 pre-rig dolly

The BGR35 pre-rig dolly is specifically designed to complement the PROLYTE BGR35 pre-rig truss system, ensuring safe, fast and effortless transport of pre-rigged truss modules.

BGR35 PRE-RIG DOLLY KEY FEATURES:

- Width: 600 mm
- 5-mm rubber side protection against damage
- Foldable legs with locking elbow
- Height-adjustable legs
- Designed for one-person handling
- Stackable for easy transport and storage



BGR35 PRE-RIG TRUSS SERIES DOLLY Standard available lengths and codes

| Metres | Feet | Weight (kg) | Weight (lbs) | Description | Code | Item number |
|---|------|-------------|--------------|---|-------------------------------|-------------|
| 1.22 | 4 | 31 | 68.32 | BGR35 PRE-RIG DOLLY LENGTH 122 CM | BGR35-PRD-L122 | 111110733 |
| 2.44 | 8 | 38 | 83.75 | BGR35 PRE-RIG DOLLY LENGTH 244 CM | BGR35-PRD-L244 | 111110734 |
| 3.05 | 10 | 44 | 96.98 | BGR35 PRE-RIG DOLLY LENGTH 305 CM | BGR35-PRD-L305 | 111110735 |
| Black powder-coated RAL 9005, textured | | | | | | |
| 1.22 | 4 | 31 | 68.32 | BGR35 PRE-RIG DOLLY LENGTH 122 CM RAL9005 TXT | PC-BGR35-PRD-L122-RAL9005-TXT | 111110737 |
| 2.44 | 8 | 38 | 83.75 | BGR35 PRE-RIG DOLLY LENGTH 244 CM RAL9005 TXT | PC-BGR35-PRD-L244-RAL9005-TXT | 111110738 |
| 3.05 | 10 | 44 | 96.98 | BGR35 PRE RIG DOLLY LENGTH 305 CM RAL9005 TXT | PC-BGR35-PRD-L305-RAL9005-TXT | 111110739 |

Other lengths available on request

Accessories

RAIL SYSTEM FOR MORE LIGHT

- 100x50x5 mm U-profile
- 5 different heights
- Plastic block slides in U-profile – 48-mm round tube is attached to the plastic blocks
- Holes every 10 cm on U-profile to lock with locking pin



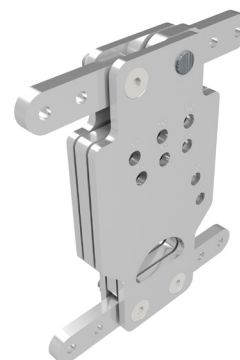
BGR35 PRE-RIG TRUSS SERIES DOLLY Standard available lengths and codes

| Description | Code |
|--|---------------|
| BGR35 GUIDE RAIL SET, 2 PIECES LENGTH 122 CM | BGR35-GR-L122 |
| BGR35 GUIDE RAIL SET, 2 PIECES LENGTH 244 CM | BGR35-GR-L244 |
| BGR35 GUIDE RAIL SET, 2 PIECES LENGTH 305 CM | BGR35-GR-L305 |
| BGR35 SUSPEND BAR FOR GUIDE RAILS ADJUSTABLE | BGR-GR-SB-01 |

CORNER HINGE

The angle-adjustable corner is designed to add maximum flexibility to your pre-rig truss configurations. With a wide adjustment range from 5° to 60°, it allows precise positioning for complex rigging layouts and creative stage designs.

The corner works in two directions, enabling both upward and downward angles to be set quickly and accurately, making it ideal for sloped truss lines, architectural applications or dynamic lighting setups.

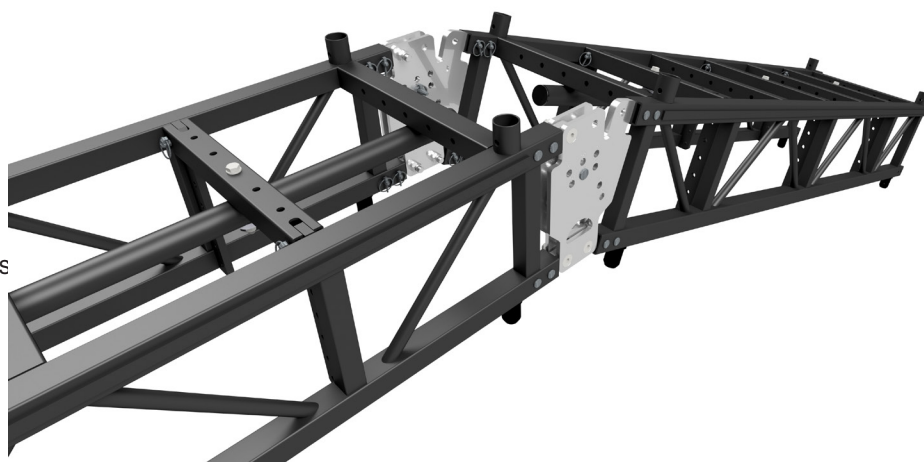


BGR35 PRE-RIG TRUSS SERIES DOLLY Standard available lengths and codes

| Weight (kg) | Weight (lbs) | Description | Code | Item number |
|-------------|--------------|-----------------------------|--------------|-------------|
| 5.46 | 12.03 | BGR35 CORNER HINGE 0-60 DGR | BGR35-H-0060 | 111100103 |

KEY FEATURES

- Adjustable angle range: 5° – 60°
- Works in two directions
- Angle down
- Angle up
- Fast and precise adjustment
- Compatible with pre-rig truss systems



Accessories

LIFTING BRACKET

Different positions possible.

BGR35 PRE-RIG TRUSS SERIES LIFTING BRACKET

Standard available lengths and codes

| Weight (kg) | Weight (lbs) | Description | Code | Item number |
|-------------|--------------|-----------------------|---------------|-------------|
| 1.22 kg | 2.68 | BGR35 LIFTING BRACKET | BGR35-LIFT-01 | 111110741 |



FORKLIFT ADAPTERS

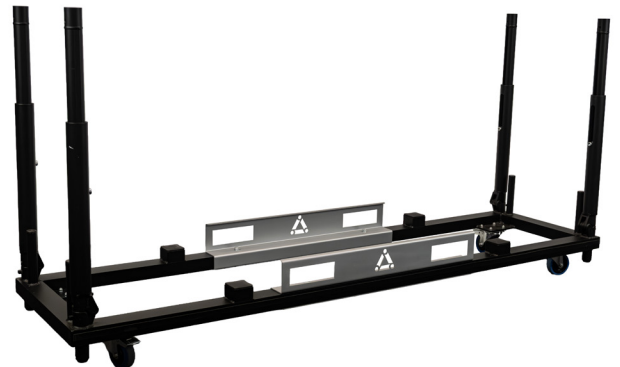
Additional feature.



BGR35 PRE-RIG TRUSS SERIES LIFTING BRACKET

Standard available lengths and codes

| Weight (kg) | Weight (lbs) | Description | Code | Item number |
|-------------|--------------|-------------------------|----------------|-------------|
| 5.86 kg | 12.92 | BGR35 FORK LIFT BRACKET | BGR-ACC-FLB-01 | 111110740 |



CONNECTORS, PIN AND CLIP

BGR35 PRE-RIG TRUSS SERIES DOLLY

Standard available lengths and codes

| Weight (kg) | Weight (lbs) | Description | Code | Item number |
|-------------|--------------|-------------------|------------|-------------|
| 0.72 | 1.59 | CONNECTOR 0 MM | BGR35-S00 | 111200321 |
| 0.72 | 1.59 | CONNECTOR 2 MM | BGR35-S02 | |
| 0.72 | 1.59 | CONNECTOR 3 MM | BGR35-S03 | |
| 0.72 | 1.59 | CONNECTOR 4 MM | BGR35-S04 | |
| 0.06 | 0.13 | LOCKING PIN 12 MM | BGR35-LP12 | 111600367 |
| 0.02 | 0.04 | SAFETY CLIP 4 MM | ACC-LP-04 | 111600049 |





Prolyte B.V.
Industriepark 9
9351 PA Leek
The Netherlands

T: +31 594 851 515
sales@prolyte.com
www.prolyte.com

