

PRODUCT DATA SHEET

The Arc Roof is a fixed construction, based on three inward-curving trusses that are mounted to side masts. Special corners connect the arches to the main grid. Different configurations are made possible by simply changing the arches. The arched trusses have a keder profile on top for fitting the optional canopy.

INCLUDING

- Tension gear and steel wires
- Comprehensive building manual
- Structural report.

Structure

Main grid	H30V
Towers	H30V
Roof structure	Arc Roof
Stiffening	Guywires + Pressure bars

Logistic

Self-weight structure	1200kg
Transport volume structure	32m ³
Exact figures depends on configuration and loading plan	

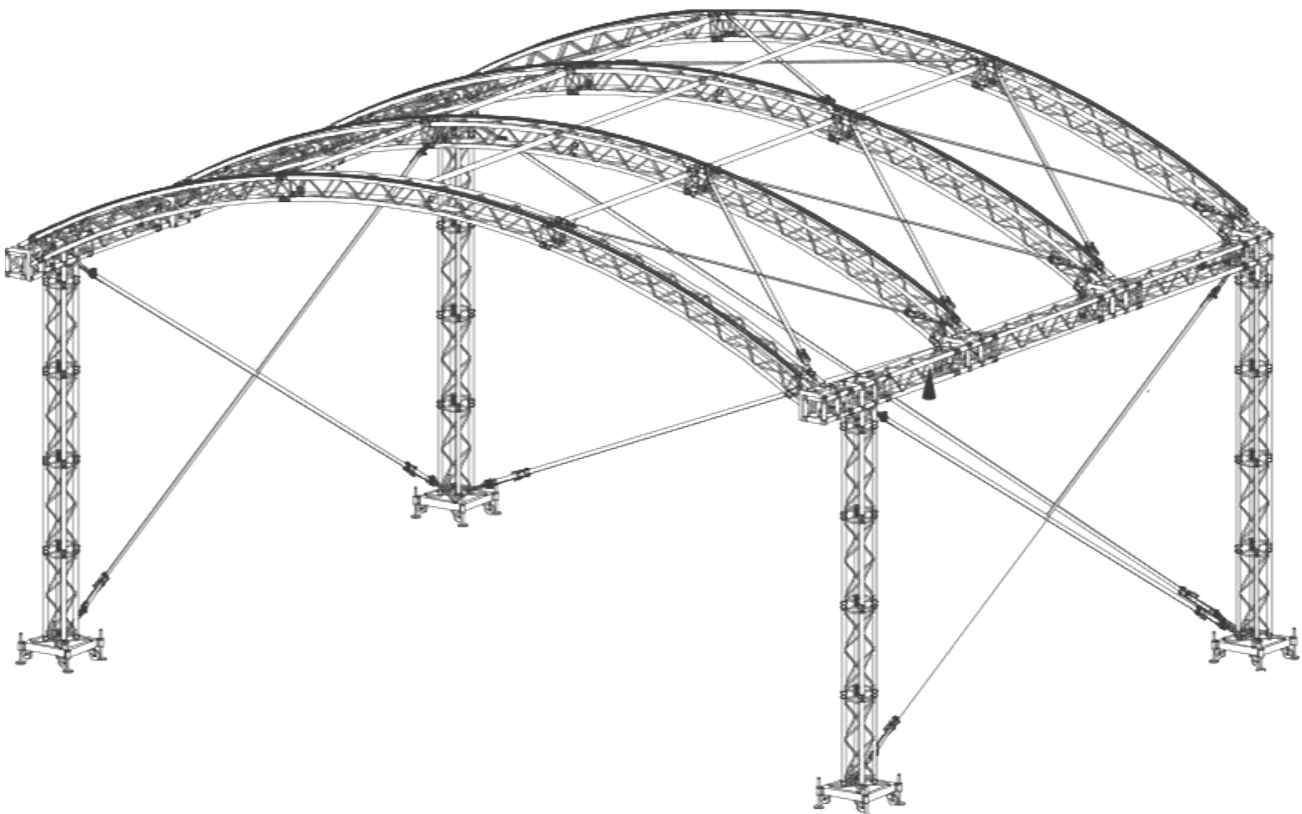
Loading capacity

Description	Type	Totals
Maingrid*	UDL	2450kg
	CPL	1000kg
	Point load combination	2000kg
PA wing	CPL per wing	1000kg

Assembling

Build up approximately	4 hours (4 persons)
Dismantling approximately	4 hours (4 persons)
All these numbers varies depending on weather conditions, amount of persons available and skills of the crew.	

*Exact figures depend on configuration and loading plan.





Design standards

ISO-17842-1 (2015)	Safety of amusement rides and amusement devices -- Part 1: Design and manufacture
EN 13814-1 (2015)	Fairground and amusement park machinery and structures - Safety
EUROCODE 0 (EN-1990)	Basis of structural design
EUROCODE 1 (EN-1991)	Actions on structures
EUROCODE 3 (EN-1993)	Design of steel structures
EUROCODE 9 (EN-1999)	Design of aluminum structures

- All structural components/structures are produced according EN1090 EXC3.
- All structures are supplied with a structural report and manual – a on-site training is mandatory

Wind management

According ISO-17842-1 (2015)

(wind loading valid for area $V_{b,0} = 28\text{m/s}$ – terrain category III)

Out-Service	0,44kN/m ²	26,5 m/s – 95,4km/hr (Max. gust wind speed)
In-Service	0,20kN/m ²	17,9 m/s – 64,4km/hr (Max. gust wind speed)
Measures	Upon reaching 17,9 m/s side and backwall canopies shall be removed	

Canopy

Top, side and back

Standard side and back wall 100% closed - scrimms available on request.

Color outside grey, inside black – other colors on request

Canopy complies to B1 fire retardant standards (ISO 9239-1)

Ballast

Total	Varies between 1600kg – 6000kg
Per tower	Varies between 400 – 1550kg

Amount of ballast depends on:

- Self-weight of the structure (position of the tower)
- Interconnected tower bases or free-standing towers
- The use of an integrated staging system
- Friction coefficient between spindles-padding-sub soil

Staging

Layher scaffolding stage or Easyframe B stage, available as an option.

Floor dimensions	variable
Floor height	max +/-1,4 m
Floor loading	500kg/m ² – 750kg/m ²

Soundwing

Available as an option

Groundring

Available as an option

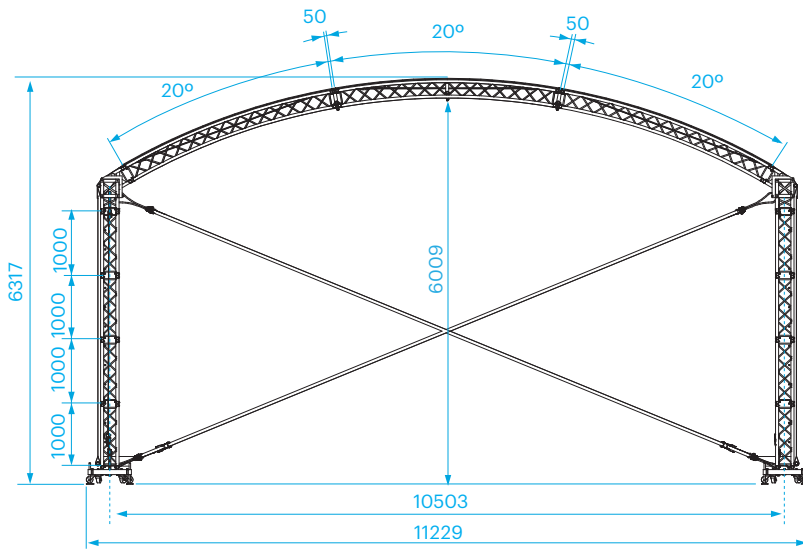
Side/Backstage area

None

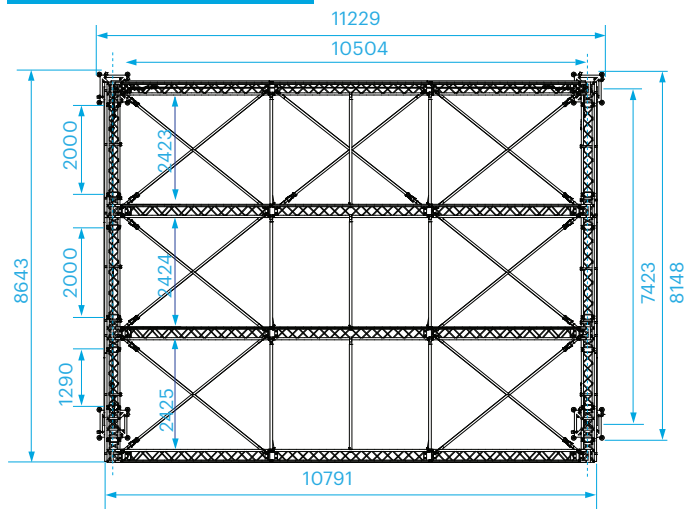
Lifting

None n.a.

Front view - 10x8 m Arc



Top view - 10x8 m Arc



Side view - 10x8 m Arc

